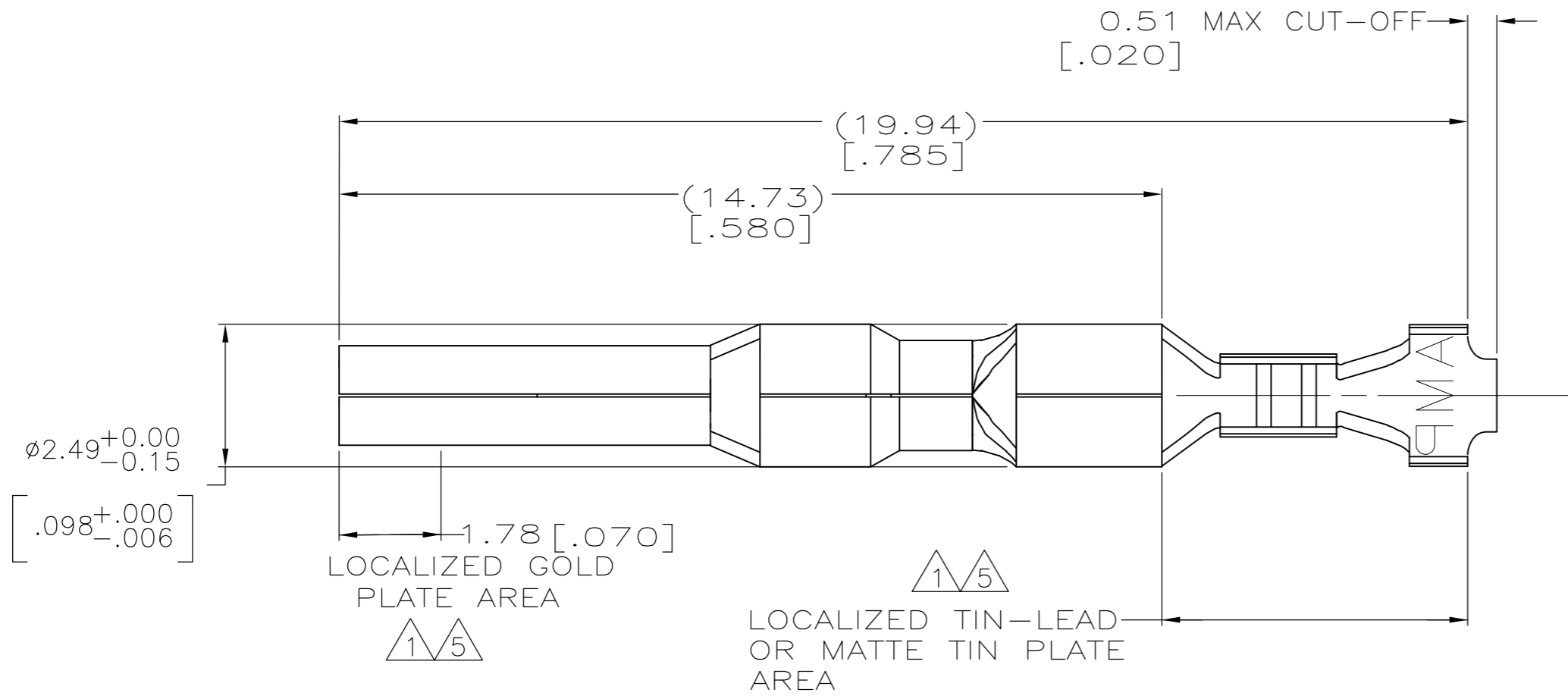
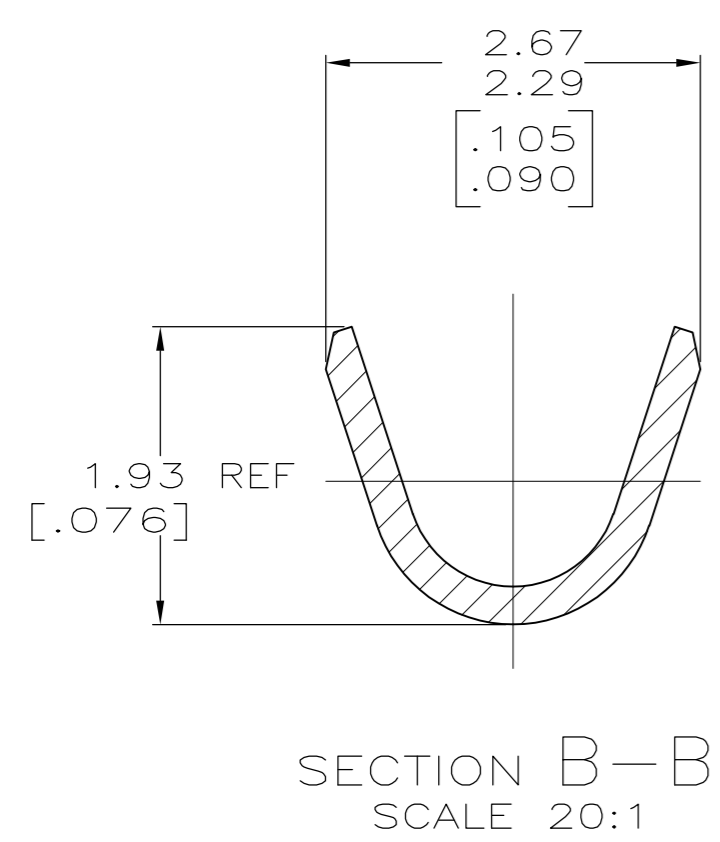
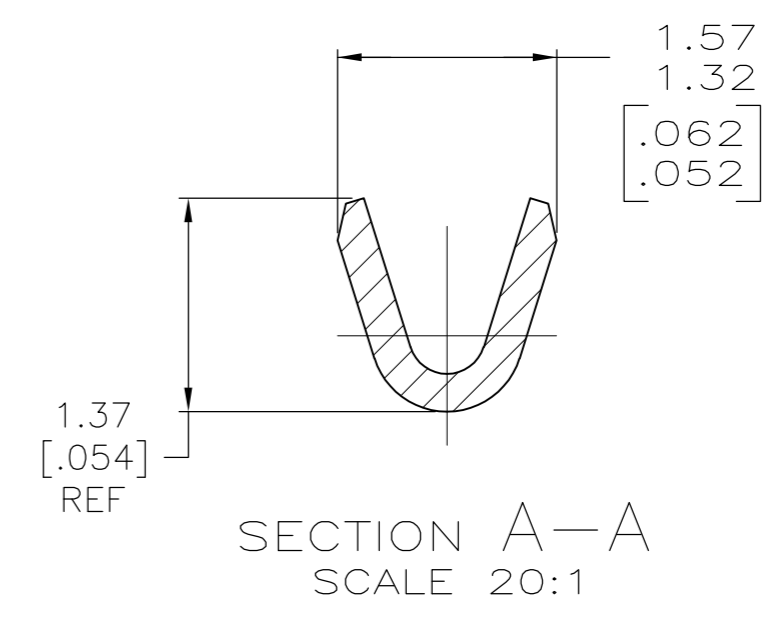
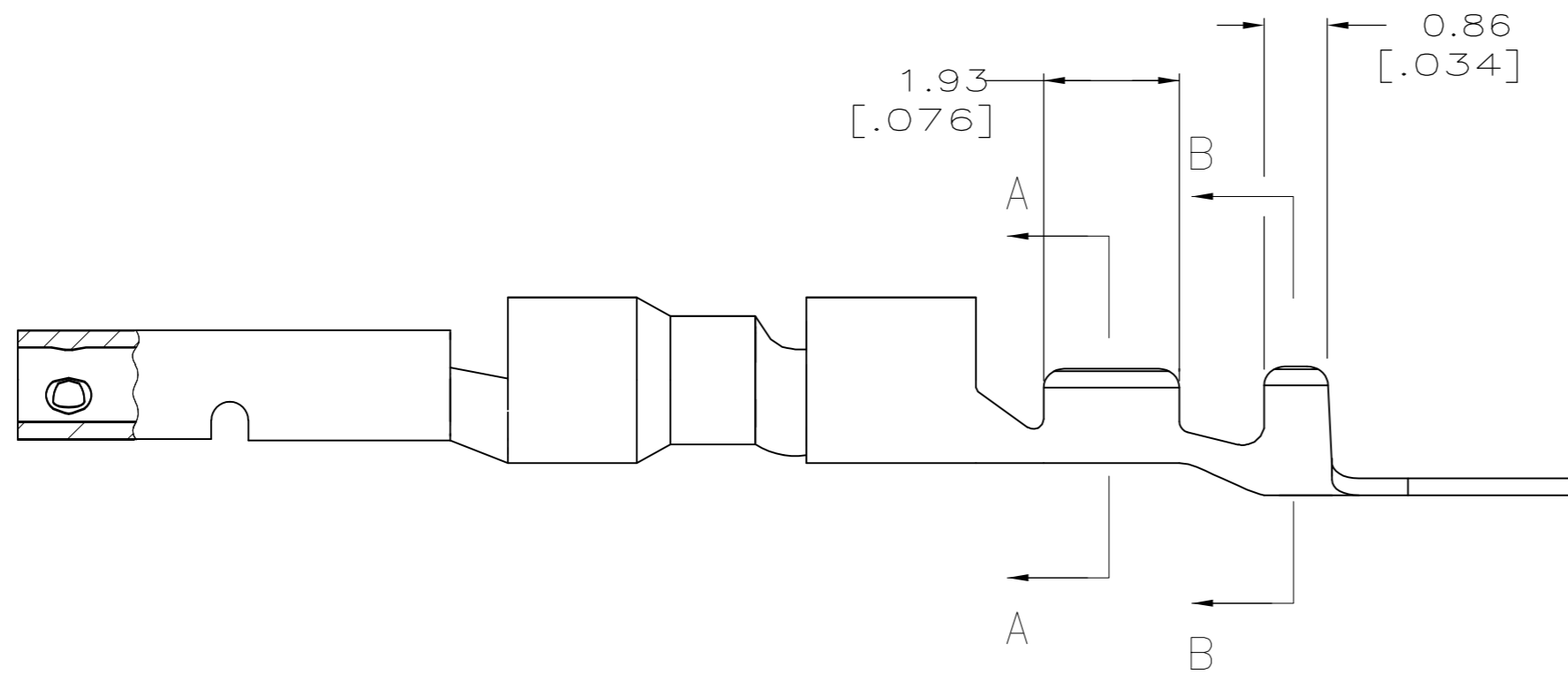


THIS DRAWING IS UNPUBLISHED. RELEASED FOR PUBLICATION  
 © COPYRIGHT - By - ALL RIGHTS RESERVED.

LOC		DIST		REVISIONS			
P	LTR	DESCRIPTION	DATE	DWN	APVD		
CM	0	E2	REVISED PER 0G3B-0237-05	9/21/05	SS	CJ	
		E1	REVISED PER ECO-09-022908	08OCT09	KK	AEG	
		E2	REVISED PER ECR-14-000999	25JUL14	GK	KD	



- 1. 0.00076 [.000030] MIN GOLD IN LOCALIZED GOLD PLATE AREA AND 0.00254 [.000100] MIN BRIGHT TIN-LEAD IN LOCALIZED TIN-LEAD PLATE AREA OVER 0.0013 [.000050] MIN NICKEL.
- 2. WIRE RANGE: 0.05 - 0.15MM<sup>2</sup> (30-26 AWG).
- 3. INSULATION RANGE: 0.89-1.27[.035-.050] DIA.
- 4. DIMENSIONS IN BRACKETS ARE IN INCHES.
- 5. 0.00076 [.000030] MIN GOLD IN LOCALIZED GOLD PLATE AREA AND 0.00254 [.000100] MIN MATTE TIN IN LOCALIZED TIN PLATE AREA OVER 0.0013 [.000050] MIN NICKEL.
- 6. OBSOLETE PARTS: OBSOLETE CIS STREAMLINING PER D.RENAUD/D.SINISI



6	SUPERSEDED	5	0.25[.010] BRASS	1-794225-0
		1	0.25[.010] BRASS	794225-3
		PRE-TIN	0.25[.010] BRASS	794225-1
		FINISH	MATERIAL	PART NUMBER

THIS DRAWING IS A CONTROLLED DOCUMENT.		DWN	R. VESTAL	1-15-97	 TE Connectivity								
DIMENSIONS: mm [INCHES]		CHK	R. SWING	1-15-97									
TOLERANCES UNLESS OTHERWISE SPECIFIED:		APVD	-	-									
0 PLC ± - 1 PLC ± - 2 PLC ± - 3 PLC ± 0.30 [.012] 4 PLC ± - ANGLES ± -		PRODUCT SPEC	-	-									
MATERIAL	SEE TABLE	FINISH	SEE TABLE	WEIGHT	-	SIZE	A2	CAGE CODE	00779	DRAWING NO	C=794225	RESTRICTED TO	-
CUSTOMER DRAWING		SCALE		10:1	SHEET	1 OF 1	REV	E2					